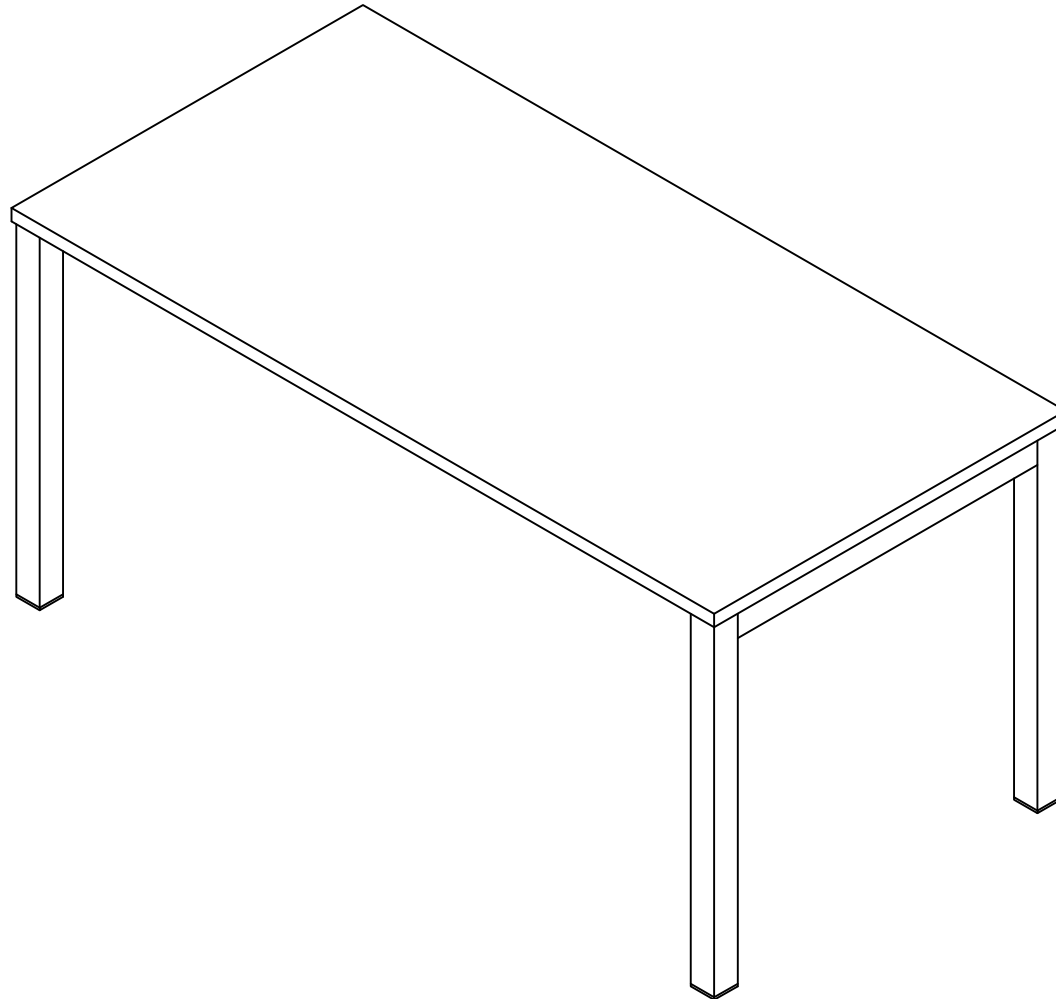
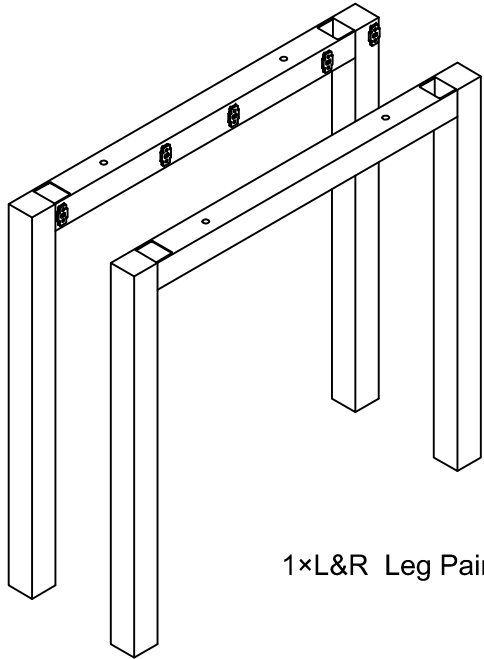
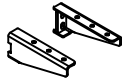


MODEL: AXLEG890EKD

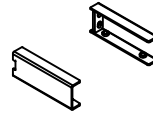




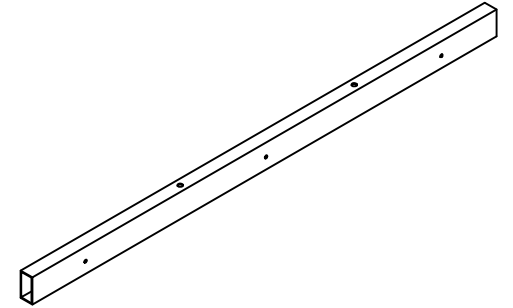
1×L&R Leg Pair



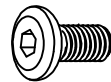
1 Pair ×L&R AXKDBRAC



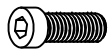
1 Pair ×L&R AXKDSPIGE



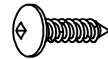
1 × Rail



4 × M8×16



8 × M6×20

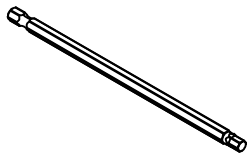


6 × ST5×23



6 × ST5×70

Tool:



Electric Driver

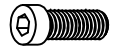


Electric Spanner



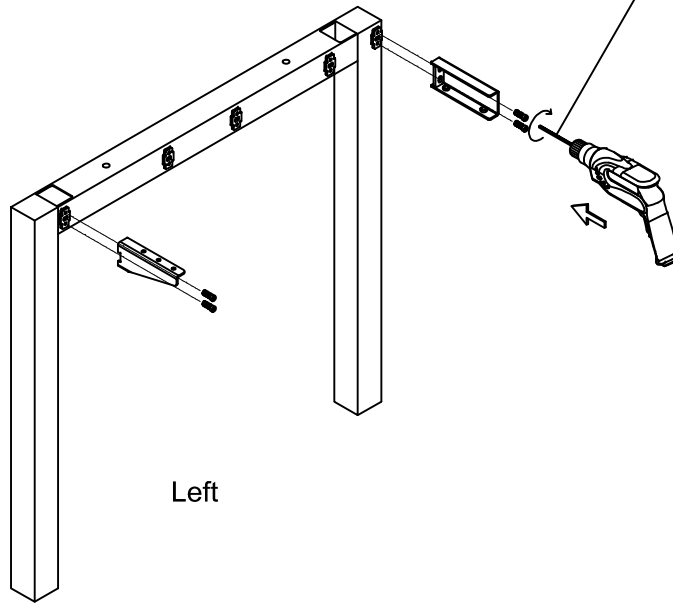
Allen Key

Step 1

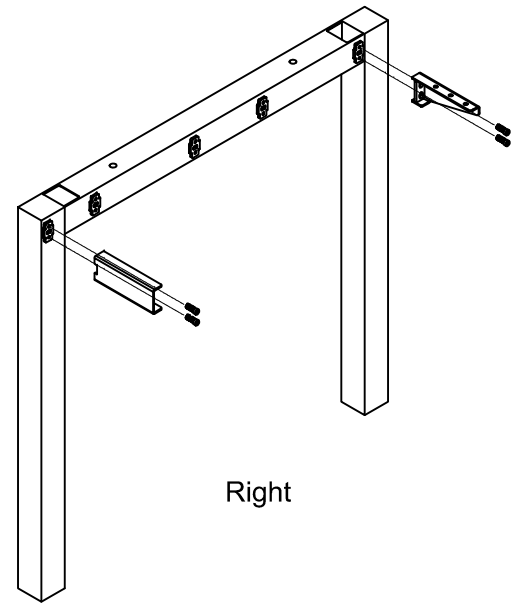


8 × M6×20

Electric Driver

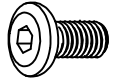


Left

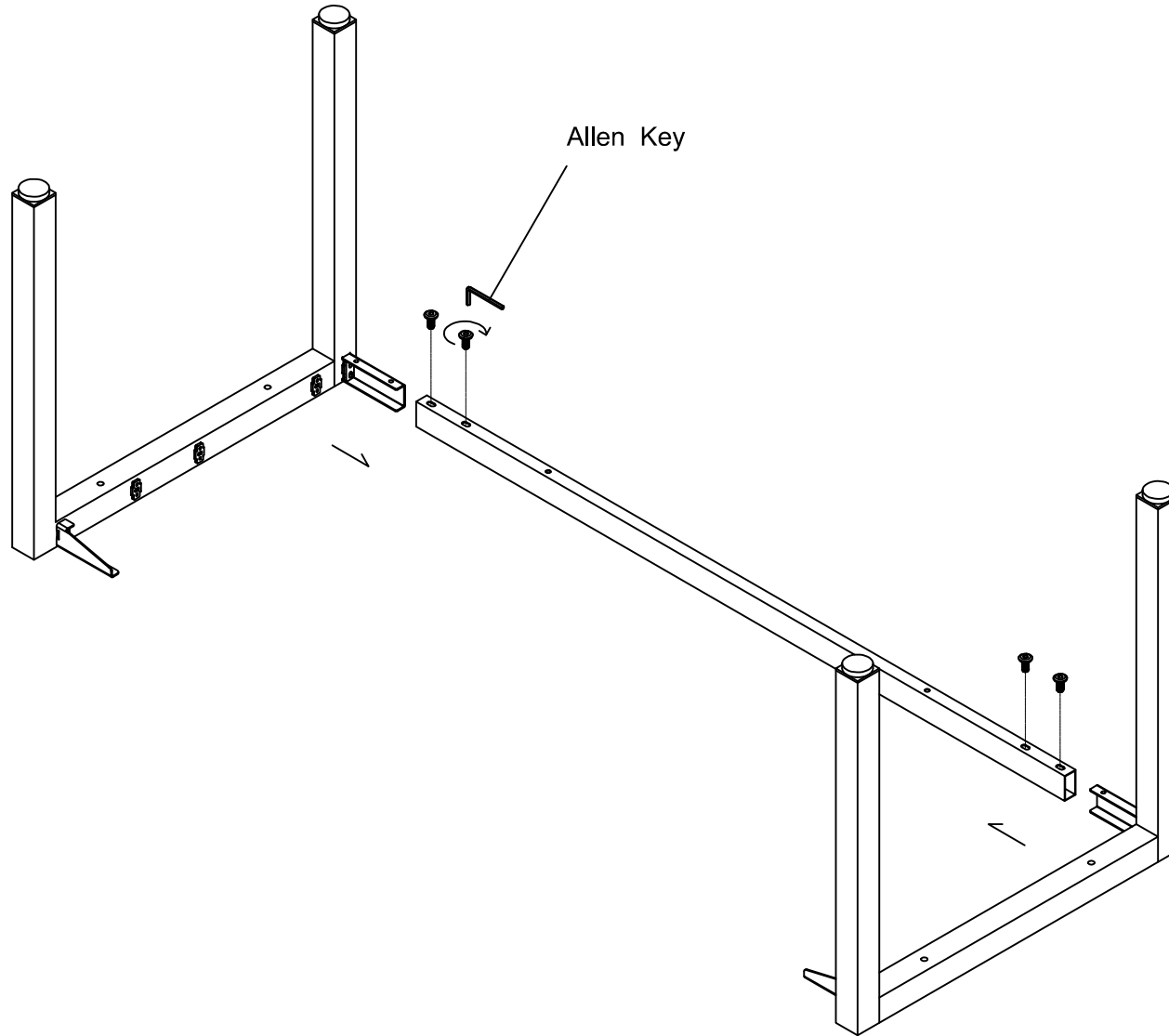


Right

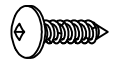
Step 2



4 × M8×16



Step 3



6 × ST5×23



6 × ST5×70

